



NORTHSTAR RV PUMPS

Fresh Water 12V Diaphragm Pumps

New from the brand you can trust, these NorthStar® NSQ Series™ on-demand 12V pumps are specifically designed for the transfer of fresh water for Caravans, mobile homes, camper trailers, food vans, coffee carts and so on. These fresh water diaphragm pumps deliver extended life and performance with internal bypass, thermal protection, and no rapid cycling.

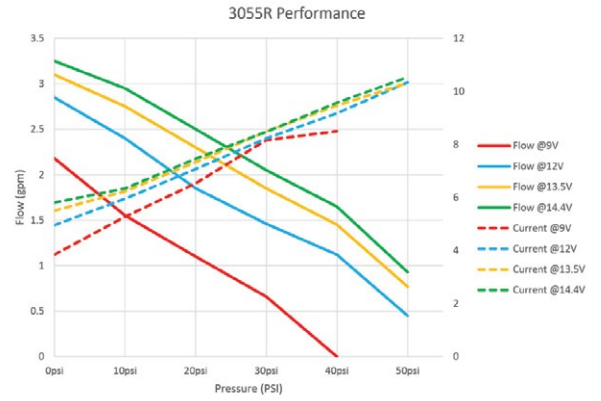
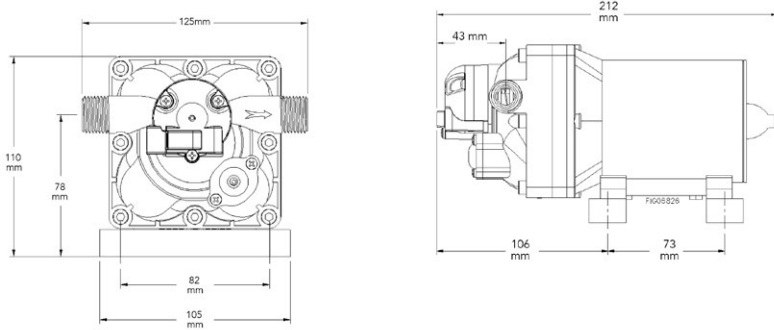


12V RV Pumps

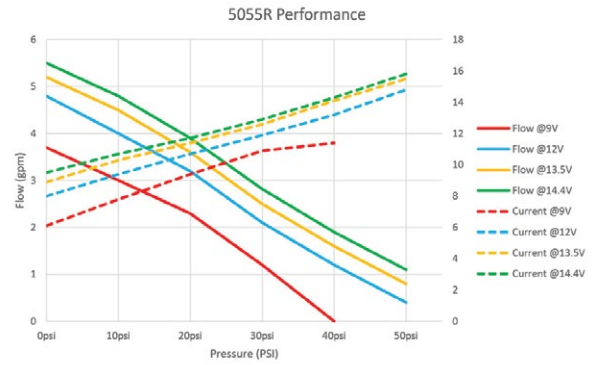
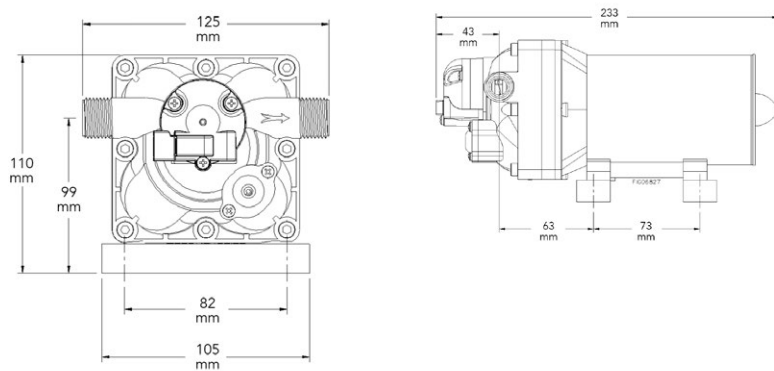


Model Number	3055R	5055R
Max Flow	11.4 LPM	18.9 LPM
Max Pressure	55 psi	55 psi
Internal Bypass	Yes	Yes
Ports	1/2in. NPSM	1/2in. NPSM
Priming	3.0m	3.0m
Liquid Temperature	55°C	55°C
Weight	2.50 kg	2.72 kg
Dimensions	212 x 125 x 110 mm	233 x 125 x 110 mm
Wetted Materials	Plastics: Polypropylene, Nylon I Diaphragm: Santoprene Valves/Seals: EPDM Check Valve Spring: Stainless steel	
Approvals / Certifications	CE, NSF ANSI 61, CSA Z240.3.2 IPX1 Protection, IAPMO Class Type IV	
Filter /Strainer		
Standard Fittings		

11.4 LPM 3055R Pump:



18.9 LPM 5055R Pump:



*Specifications subject to change without notice.

